

MF Series

Magnetic Float Level Switch

Practicality

Realize multi-point control in level detecting.

Durability

Reed switch can be used for a long life.

Multiple Application

On the basis of local condition, we can choose different mounting type, material and so on for applications.

Convenience

Easy installation and low cost of maintenance.



■ General Specifications

Switch Type: SPST

Switch Rating: AC 250V 3A, DC 24V 3A

Operating Temperature: SUS 316L , Max.180°C

PP , Max.70°C

PVDF , Max.120°C

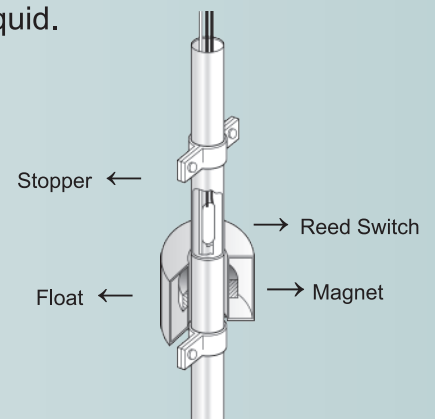
Operating Pressure: SUS 316L , Max.15kg/cm ,

PP / PVDF , Max. 2 kg/cm


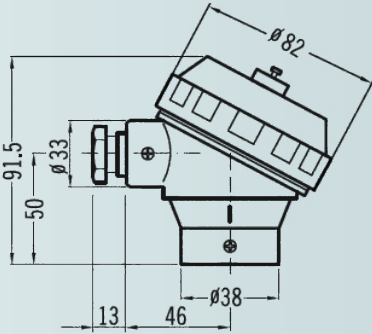

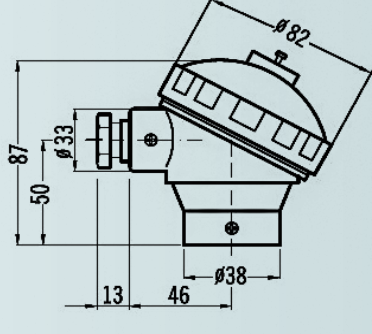

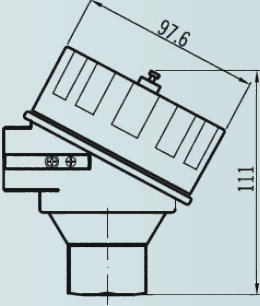

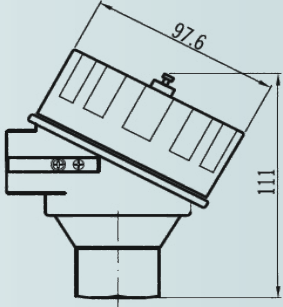
Accuracy: ±2mm

■ Operating Principle

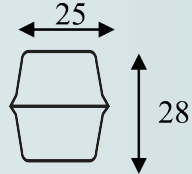
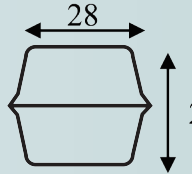
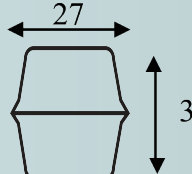
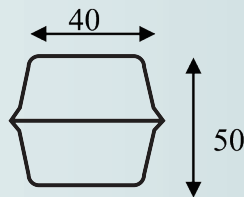
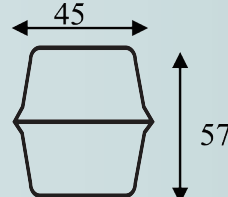
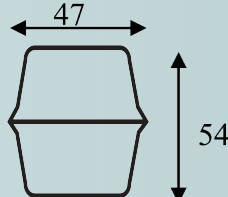
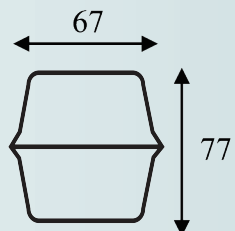
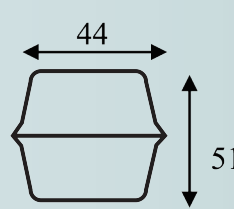
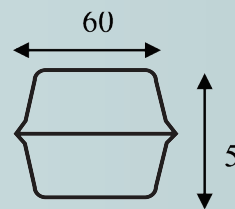
The magnetic float level switch MF series consist of stem, reed switch, permanent magnet, float and stopper. When level is changed, the float rise or fall, and permanent magnet attract the reed switch in the stem to become on or off. The on-off action realizes level control of liquid.



MF Series Housing Type

| GA | DIMENSIONS | SPECIFICATIONS |
|---|---|---|
|  |  | <p>Material: Aluminum Alloy</p> <p>Protection: IP67</p> <p>Cable Entry: 1/2"(PF, NPT, BSP) 3/4"(PF, NPT, BSP) M20 x1.5</p> |
| GP | DIMENSIONS | SPECIFICATIONS |
|  |  | <p>M: Polypropylene</p> <p>Protection: IP65</p> <p>Cable Entry: 3/4"NPT, M20 x1.5</p> |
| EA | DIMENSIONS | SPECIFICATIONS |
|  |  | <p>Material: Aluminum Alloy</p> <p>Protection: IP65</p> <p>Explosion Proof: Class I, Div 1, Group A B C D, T6</p> <p>Cable Entry: 1/2"NPT, 3/4"NPT M20 x1.5</p> |
| EP | DIMENSIONS | SPECIFICATIONS |
|  |  | <p>Material: SUS316</p> <p>Protection: IP65</p> <p>Explosion Proof: Class I, Div 1, Group A B C D, T6</p> <p>Cable Entry: 1/2"NPT, 3/4"NPT M20 x1.5</p> |

■ MF Series Float Type

| CODE | 6A | 6B | 6C |
|-------------|---|--|---|
| Dimensions |  |  |  |
| Material | SUS316L | SUS316L | SUS316L |
| Size | Ø25 x H28mm | Ø28 x H28mm | Ø38 x H27mm |
| Temperature | Max. 180°C | Max. 180°C | Max. 180°C |
| Pressure | Max. 15kg/cm ² | Max. 15kg/cm ² | Max. 15kg/cm ² |
| Min. S.G. | 0.9 | 0.8 | 0.7 |
| CODE | 6D | 6E | 6F |
| DIMENSIONS |  |  |  |
| Material | SUS316L | SUS316L | SUS316L |
| Size | Ø40 x H50mm | Ø45 x H57mm | Ø47 x H54mm |
| Temperature | Max. 180°C | Max. 180°C | Max. 180°C |
| Pressure | Max. 15kg/cm ² | Max. 15kg/cm ² | Max. 15kg/cm ² |
| Min. S.G. | 0.6 | 0.5 | 0.5 |
| CODE | 6G | PP | TF |
| DIMENSIONS |  |  |  |
| Material | SUS316L | Polypropylene | PVDF |
| Size | Ø67 x H77mm | Ø44 x H51mm | Ø60 x H53mm |
| Temperature | Max. 180°C | Max. 70°C | Max. 120°C |
| Pressure | Max. 15kg/cm ² | Max. 2kg/cm ² | Max. 2kg/cm ² |
| Min. S.G. | 0.45 | 0.8 | 0.8 |

Model Selection Guide

| | | | | | | | | | | | | | | |
|----|---|---------|---|-------|---|------|---|------------|---|--------|---|--------|---|----------|
| MF | - | Housing | - | Float | - | Size | - | Connection | - | Switch | - | Length | - | Setpoint |
|----|---|---------|---|-------|---|------|---|------------|---|--------|---|--------|---|----------|

| Housing | | | |
|---------------------|---|----|----------------------------|
| GA | Aluminum Alloy, IP67 | | |
| GP | PP, IP65 | | |
| XDA | Aluminum Alloy, IP65, Ex db IIC T6 Gb | | |
| EP | SUS316, IP65, Class I, Div 1, Group A B C D, T6 | | |
| NE | None | | |
| Float Type | | | |
| 6A | Ø25 x H28mm, SUS316L | 6F | Ø47 x H54mm, SUS316L |
| 6B | Ø28 x H28mm, SUS316L | 6G | Ø67 x H77mm, SUS316L |
| 6C | Ø38 x H27mm, SUS316L | PP | Ø44 x H51mm, Polypropylene |
| 6D | Ø40 x H50mm, SUS316L | TF | Ø60 x H53mm, PVDF |
| 6E | Ø45 x H57mm, SUS316L | R | Other |
| ConnectionSize | | | |
| 1 | 1/8" | 7 | 1-1/2" |
| 2 | 1/4" | 8 | 1-1/4" |
| 3 | 3/8" | 9 | 2" |
| 4 | 1/2" | 10 | 2-1/2" |
| 5 | 3/4" | 11 | 3" |
| 6 | 1" | 12 | 4" |
| ConnectionType | | | |
| A1 | ANSI 150Lb | P6 | PN10 |
| A2 | ANSI 300Lb | W7 | NPT |
| J3 | JIS 5K | W8 | PT |
| J4 | JIS 10K | W9 | PF |
| P5 | PN6 | R | Other |
| Output | | | |
| A | SPST (N.O.) | | |
| B | SPST (N.C.) | | |
| C | 4-20mA | | |
| Length | | | |
| xxxx | 100mm~5000mm | | |
| Numbers of Setpoint | | | |
| xx | 01~05 | | |

Hsiung Mei Hsiung Mei Technology Instruments Corp.

1F, No.24, Lane 21, Guanghui Road, Wenshan District, Taipei City, Taiwan
 Tel:+886-2-2937-1325 Fax:+886-2-2937-1305
 URL: www.hsiungmei.com.tw Email:sales@hsiungmei.com.tw

► Business Project - Industrial Instruments & Service
 ● Level ● Powder ● Pressure ● Flow ● Temperature ● Recorder