

## GENERAL

**ALIASONIC** The AUF760HM Series is a fixed mounted, transit-time ultrasonic flowmeter. It features factory mounted transducers that allow it to be flow lab calibrated reducing or eliminating the random or bias error that can be present in clamp-on style transducer mounting. The meter ensures an accurate, non-invasive measurement of clean homogeneous liquids process.

## FEATURES

- ❑ 4 line LCD display with flowrate, totalizer & signal condition
- ❑ Stores up 64 Day / Month / Year Totalizer daily value
- ❑ Batch control function
- ❑ Wide range velocities of 0.01~+/-32 m/s
- ❑ Pipe size from 100-1000 mm
- ❑ High accuracy of +/-1% of reading
- ❑ SD card (16 G) Data-Logger (Flowrate, totalizer, time, date included)
- ❑ Response time less than 1 second

## STANDARD SPECIFICATION

- |                       |   |                       |  |
|-----------------------|---|-----------------------|--|
| ● Measuring Principle | : Transit time difference   | ● Keypad              | : 16 Key with tactile action               |
| ● Pipe Size           | : 100-1000 mm   | ● Flow Velocity       | : 0.01~+/-32 m/s                           |
|                       | : 4"-40"  | ● Resolution          | : 0.0001 m/s                               |
| ● Material            | : Carbon Steel / Stainless Steel 304                                | ● Ambient Temperature | : -20~50 °C                                |
|                       | : Stainless Steel 316   | ● Mounting            | : Wall mounting                            |
| ● Process Connection  | : Flange  | ● Max. Cable Length   | : 300 m                                    |
| ● Flange Type         | : JIS 7.5K / JIS 10K / JIS 20K / JIS 40K                            | ● Power Consumption   | : Less than 2 W                            |
|                       | ANSI 150# / ANSI 300# / ANSI 600#                                   | ● Power Supply        | : 85-265 VAC 50/60 Hz or 8-36 VDC          |
|                       | DIN PN10 / PN16 / PN25 / PN40                                       | ● Data Storage        | : Operation parameters and totalization    |
| ● Max. Pressure       | : 40 kgf/cm <sup>2</sup>  |                       | figures are stored by EEPROM for more      |
| ● Process Temperature | : -20~110 °C  | ● Output              | : 4-20 mA or 0-20 mA or 20-4-20 mA         |
| ● Display             | : 4 Line LCD with illumination.                                     | ● Pulse Output        | : 1-9999 Hz                                |
|                       | Flowrate : 5 Digit with decimal point                               | ● Data Logger         | : SD card (16 G) Data-Logger               |
|                       | Totalizer : 8 Digit, Forward, Reverse & Net values.                 |                       | (Flowrate, totalizer, time, date included) |
|                       | Engineer Unit : m <sup>3</sup> , Liter, US Gallon, Imperial Gallon, | ● Alarm               | : High / Low with buzzer                   |
|                       | Million Gallon, Cubic Feet, US Barrels,                             |                       | : 5 VDC 1 A / 125 VAC 0.5 A                |
|                       | Imperial Barrels, Oil Barrel  | ● Communication       | : RS485 (MODBUS)                           |
|                       | Time Unit : Second, Minute, Hour, Day                               | ● Dimension           | : 235 * 205 * 95 mm                        |
|                       | Other : Velocity, Date, Time, Signal condition                      | ● Weight              | : 1.5 kg (Converter)                       |
| ● Accuracy            | : +/-1.0% of reading  | ● Protection Class    |  |
| ● Repeatability       | : +/-0.2% of reading  |                       | Converter : IP65                           |
| ● Response Time       | : Less than 1 second  |                       | Sensor : IP68 (Submersible)                |

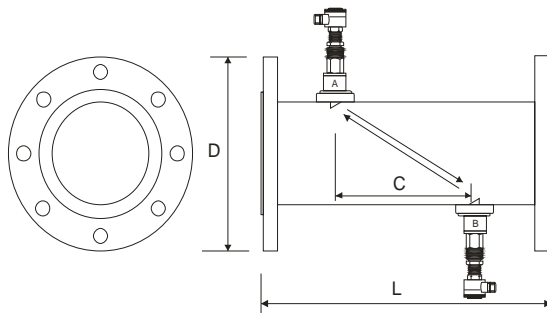


**➤ FLOW RANGE**

Unit : m<sup>3</sup>/hr

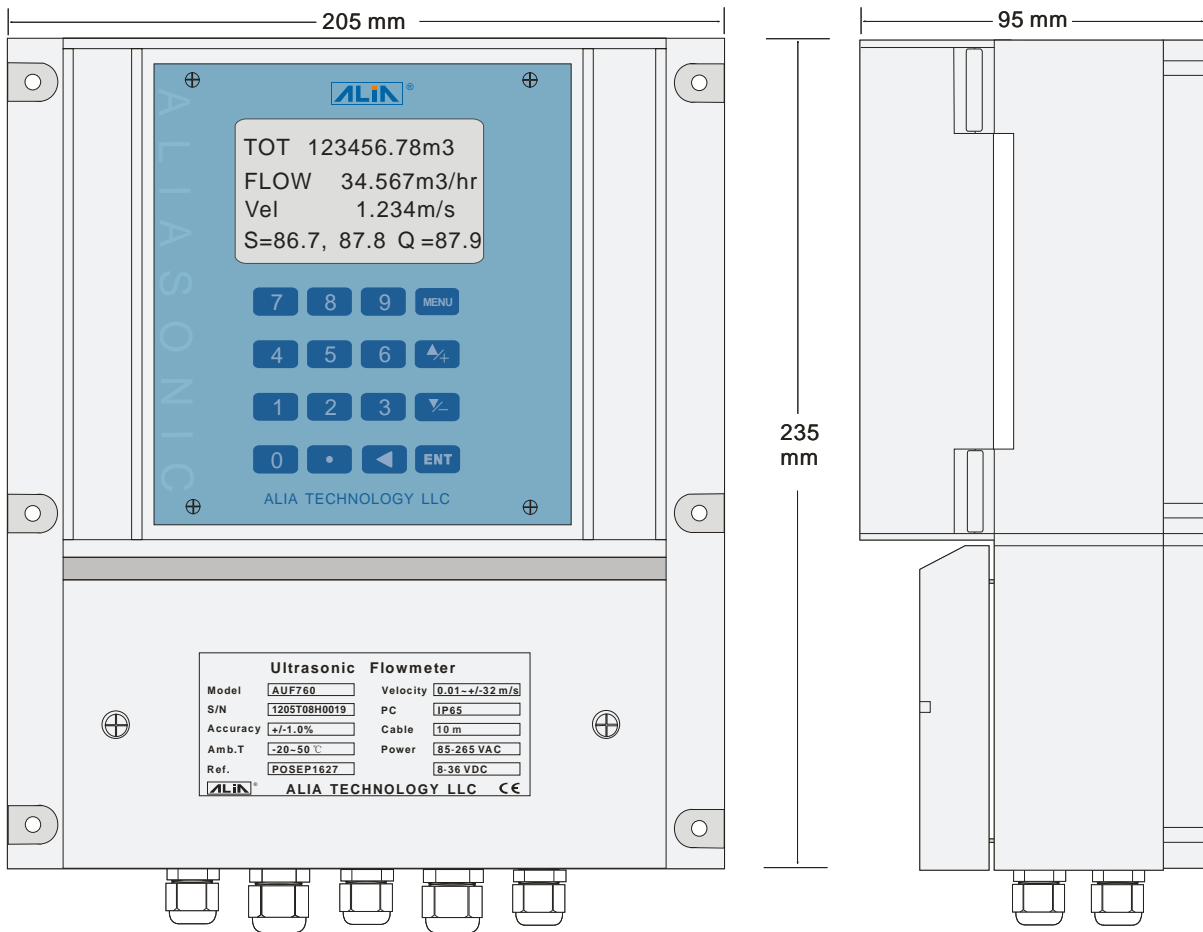
Normal Size		Flow Range & Velocity Table					
mm	Inch	Min. 0-0.5 m/s	1.0 m/s	2.0 m/s	5.0 m/s	10.0 m/s	Max. 0-30 m/s
100	4"	0 to 14	28	57	141	283	0 to 848
125	5"	0 to 22	44	88	221	442	0 to 1325
150	6"	0 to 32	64	127	318	636	0 to 1908
200	8"	0 to 57	113	226	565	1131	0 to 3393
250	10"	0 to 88	177	353	884	1767	0 to 5301
300	12"	0 to 127	254	509	1272	2545	0 to 7634
350	14"	0 to 173	346	693	1732	3464	0 to 10391
400	16"	0 to 226	452	905	2262	4524	0 to 13571
450	18"	0 to 286	573	1145	2863	5725	0 to 17176
500	20"	0 to 353	707	1414	3534	7068	0 to 21205
600	24"	0 to 509	1018	2036	5089	10179	0 to 30536
700	28"	0 to 693	1385	2771	6927	13854	0 to 41562
800	32"	0 to 905	1810	3619	9048	18095	0 to 54286
900	36"	0 to 1145	2290	4580	11451	22902	0 to 68705
1000	40"	0 to 1414	2827	5655	14137	28274	0 to 84821

**➤ Dimension & Weight**

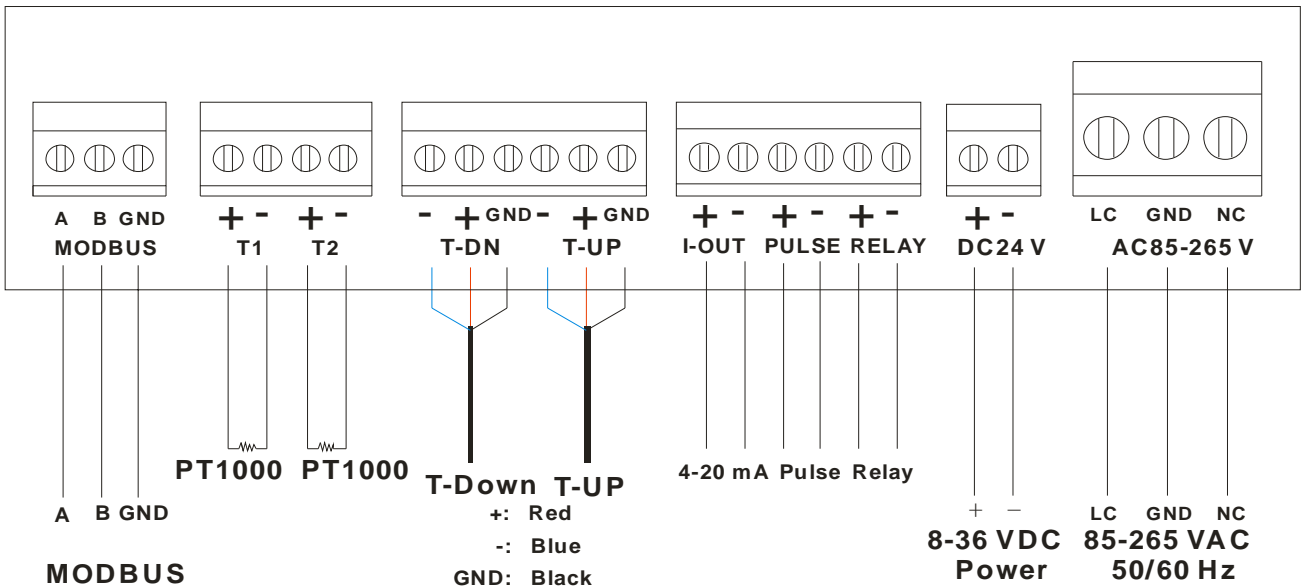


Normal Size		Transducer Spacing	Dimensions (mm)		Weight
mm	Inch	C	L	D	kg
100	4"	93.87	400	220	19
125	5"	118.87	450	250	23
150	6"	143.87	450	285	28
200	8"	194.87	500	340	34
250	10"	242.87	550	395	43
300	12"	290.87	700	445	53
350	14"	340.87	750	505	68
400	16"	389.87	800	565	85
450	18"	439.87	850	615	105
500	20"	489.87	900	670	130
600	24"	589.87	1000	780	220
700	28"	689.87	1200	895	350
800	32"	789.87	1300	1015	410
900	36"	889.87	1400	1115	470
1000	40"	989.87	1500	1230	610

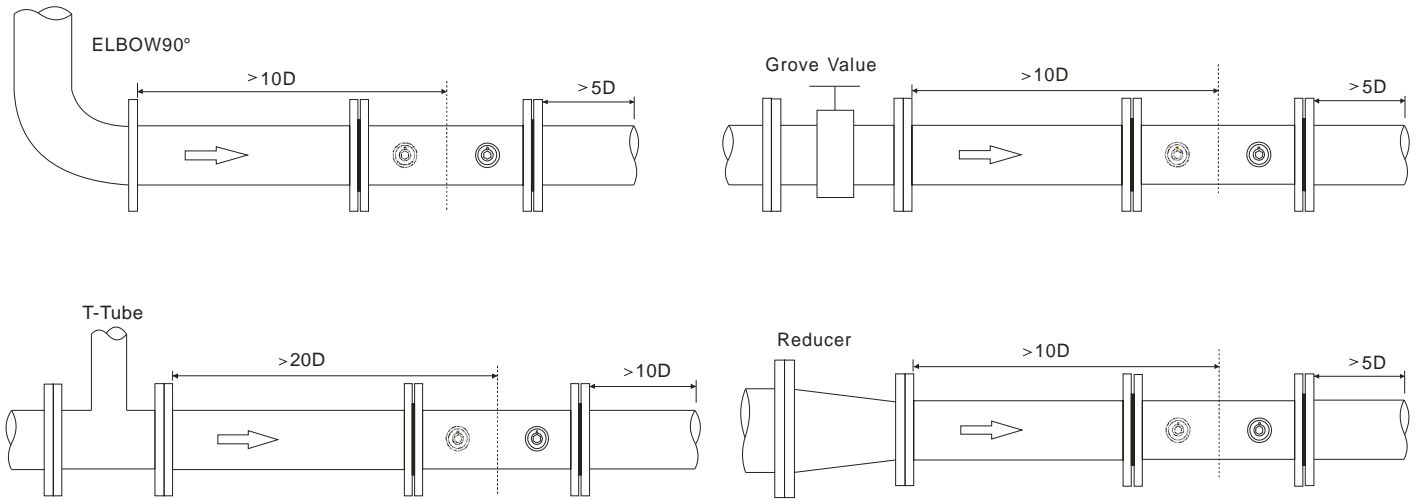
**➤ DIMENSIONS FOR ULTRASONIC FLOWMETER**



**➤ WIRING DIAGRAM**



**CONDITIONS ON STRAIGHT PIPE**



**MODEL SELECTION GUIDE**

AUF760HM Series							
Example: AUF760HM-0150-A80-020-NN							
AUF760HM-	XXXX-	X	X	X-	XXX	-X	Description
Size	100-1000-						100-1000 mm
Process Connection	1						PN10
	2						PN16
	3						PN25
	4						PN40
	A						ANSI 150#
	B						ANSI 300#
	C						ANSI 600#
	7						JIS 7.5K
	J						JIS 10K
	K						JIS 20K
	L						JIS 40K
Z						Others	
Protection Class	8						IP68
	9						IP68 (Submersible)
Flange & Tube	0-						S.S. 304 Tube & Carbon Steel Flange
	4-						S.S. 304 Tube & S.S. 304 Flange
	6-						S.S. 304 Tube & S.S. 316 Flange
	8-						S.S. 316 Tube & S.S. 316 Flange
Cable Length					005-300	Separate Version, Cable 5-300 m	
Power Supply					-NN	85-265 VAC, 50/60 Hz or 8-36 VDC	